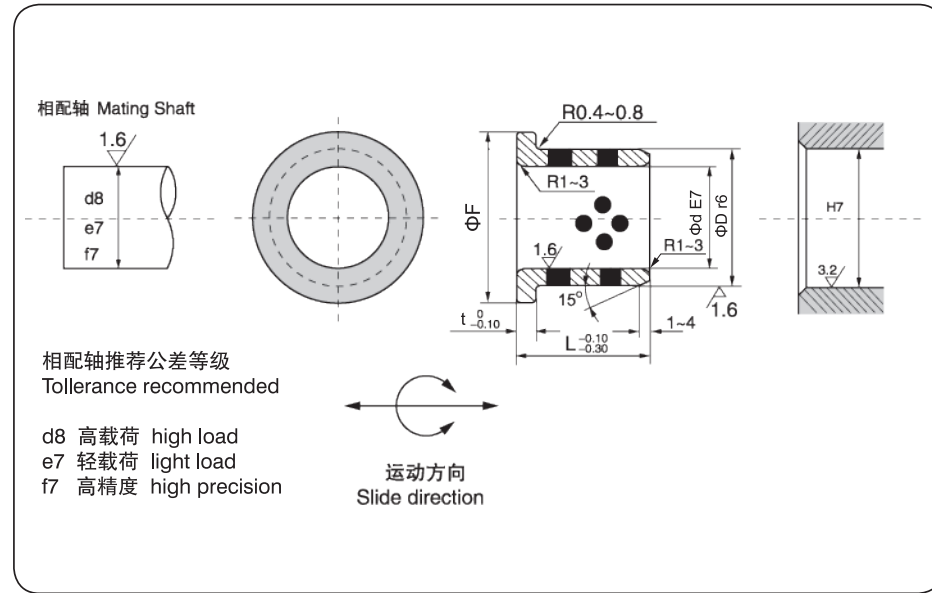


# RSZ-3F

翻边自润滑轴承 Flanged Oilless Bushing



Material: CuZn25Al5Mn3Fe3  
+ Graphite(500#SP)  
材料: 高力黄铜+ 固体润滑剂  
相配座孔公差等级推荐H7  
Housing tolerance recommended H7



I.D. $\phi d$ 内径 E7	O.D. $\phi D$ 外径 r6	Flange $\boxtimes$		L $^{ -0.10 }_{ -0.30 }$															
		$\phi F$	t $^0_{ -0.10 }$	15	20	25	30	35	40	50	60	80	100						
10	$^{ +0.040 }_{ +0.025 }$	14	$^{ +0.034 }_{ +0.023 }$	22	2	●	●												
12	$^{ +0.050 }_{ +0.032 }$	18	"	25	3	●	●												
13	"	19	$^{ +0.041 }_{ +0.028 }$	26	"	●	●												
14	"	20	"	27	"	●	●												
15	"	21	"	28	"	●	●	●	●										
16	"	22	"	29	"	●	●	●	●										
18	"	24	"	32	"	●	●	●	●										
20	$^{ +0.061 }_{ +0.040 }$	28	"	40	5	●	●	●	●	●									
20	"	30	"	40	"	●	●	●	●	●									
25	"	35	$^{ +0.050 }_{ +0.034 }$	45	"	●	●	●	●	●									
30	"	38	"	40	"		●	●	●	●	●								
30	"	40	"	50	"		●	●	●	●	●	●							
31.5	$^{ +0.075 }_{ +0.050 }$	40	"	"	"		●			●									
35	"	45	"	60	"		●		●	●									
40	"	50	"	65	"		●		●	●	●								
45	"	55	$^{ +0.060 }_{ +0.041 }$	70	"				●	●	●	●							
50	"	60	"	75	"				●	●	●	●							
55	$^{ +0.090 }_{ +0.060 }$	65	"	80	"				●		●	●							
60	"	75	$^{ +0.062 }_{ +0.043 }$	90	7.5				●	●								●	
63	"	75	"	95	"													●	
70	"	85	$^{ +0.073 }_{ +0.051 }$	105	"						●							●	
75	"	90	"	110	"												●		
80	"	100	"	120	10												●	●	●
90	$^{ +0.107 }_{ +0.072 }$	110	$^{ +0.076 }_{ +0.054 }$	130	"												●	●	
100	"	120	"	150	"													●	●
120	"	140	$^{ +0.088 }_{ +0.063 }$	170	"													●	●

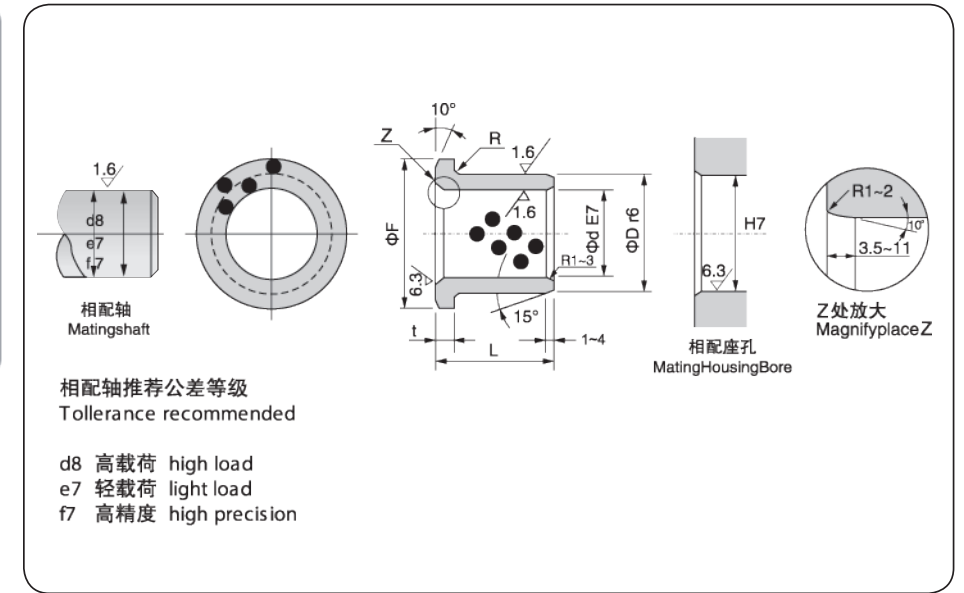
How to order: Code d D L  
订单方式: RSZ-3F 10 14 15

# RSZ-3B

自润滑翻边轴承 Flanged Bushing



Material: CuZn25Al5Mn3Fe3  
+ Graphite(500#SP)  
材料: 高力黄铜+ 固体润滑剂



Part No. 产品代号	I.D. $\phi d$ 内径 E7	O.D. $\phi D$ 外径 r6	$\phi F$	t	L $^{ -0.10 }_{ -0.30 }$
RSZ-3B-1211	12 $^{ +0.050 }_{ +0.032 }$	18 $^{ +0.034 }_{ +0.023 }$	30 $^0_{ -0.3 }$	3 $^0_{ -0.03 }$	11
RSZ-3B-1223	"	"	"	"	23
RSZ-3B-1513	15 $^{ +0.050 }_{ +0.032 }$	21 $^{ +0.041 }_{ +0.028 }$	35 $^0_{ -0.3 }$	"	13
RSZ-3B-1613	16 $^{ +0.050 }_{ +0.032 }$	22 $^{ +0.041 }_{ +0.028 }$	"	"	13
RSZ-3B-1618	"	"	"	"	18
RSZ-3B-1818	18 $^{ +0.050 }_{ +0.032 }$	24 $^{ +0.041 }_{ +0.028 }$	40 $^0_{ -0.3 }$	"	18
RSZ-3B-2020	20 $^{ +0.061 }_{ +0.040 }$	28 $^{ +0.041 }_{ +0.028 }$	45 $^0_{ -0.3 }$	5 $^0_{ -0.03 }$	20
RSZ-3B-2025	"	"	"	"	25
RSZ-3B-2520	25 $^{ +0.061 }_{ +0.040 }$	33 $^{ +0.050 }_{ +0.034 }$	50 $^0_{ -0.3 }$	"	20
RSZ-3B-2525	"	"	"	"	25
RSZ-3B-3025	30 $^{ +0.061 }_{ +0.040 }$	38 $^{ +0.050 }_{ +0.034 }$	55 $^0_{ -0.3 }$	"	25
RSZ-3B-3035	"	"	"	"	35
RSZ-3B-3525	35 $^{ +0.075 }_{ +0.050 }$	44 $^{ +0.050 }_{ +0.034 }$	62 $^0_{ -0.3 }$	"	25
RSZ-3B-3535	"	"	"	"	35
RSZ-3B-4027	40 $^{ +0.075 }_{ +0.050 }$	50 $^{ +0.050 }_{ +0.034 }$	70 $^0_{ -0.3 }$	7 $^0_{ -0.03 }$	27
RSZ-3B-4037	"	"	"	"	37
RSZ-3B-4047	"	"	"	"	47
RSZ-3B-5038	50 $^{ +0.075 }_{ +0.050 }$	62 $^{ +0.060 }_{ +0.041 }$	90 $^0_{ -0.3 }$	8 $^0_{ -0.04 }$	38
RSZ-3B-5048	"	"	"	"	48
RSZ-3B-5058	"	"	"	"	58
RSZ-3B-6038	60 $^{ +0.090 }_{ +0.060 }$	74 $^{ +0.062 }_{ +0.043 }$	110 $^0_{ -0.3 }$	"	38
RSZ-3B-6068	"	"	"	"	68
RSZ-3B-7050	70 $^{ +0.090 }_{ +0.060 }$	85 $^{ +0.073 }_{ +0.051 }$	120 $^0_{ -0.3 }$	10 $^0_{ -0.04 }$	50
RSZ-3B-7080	"	"	"	"	80
RSZ-3B-8060	80 $^{ +0.090 }_{ +0.060 }$	96 $^{ +0.073 }_{ +0.051 }$	140 $^0_{ -0.3 }$	"	60
RSZ-3B-8090	"	"	"	"	90

How to order: Part No. d L  
订单方式: RSZ-3B 12 11